

Lumination® LED Luminaire

EMBB Accessory (LRX Series)



BEFORE YOU BEGIN

Read these instructions completely and carefully.



WARNING/AVERTISSEMENT

RISK OF ELECTRIC SHOCK

- Turn power off before inspection, installation or removal.
- Install this kit only in the luminaires that has the construction features and dimensions shown in the photographs and/or drawings.
- Installation of this retrofit assembly requires a person familiar with the construction and operation of the luminaire's electrical system and the hazard involved. If not qualified, do not attempt installation. Contact a qualified electrician.
- To prevent wiring damage or abrasion, do not expose wiring to edges of sheet metal or other sharp objects.
- Do not make or alter any open holes in an enclosure of wiring or electrical components during kit installation.

RISQUES DE DÉCHARGES ÉLECTRIQUES

- Coupez l'alimentation avant d'inspecter, installer ou déplacer le luminaire.
- Risques d'incendie ou choc L'installation de trousse de mise à niveau au DEL nécessite des connaissances des systèmes électriques d'éclairage.
- Risque d'incendie ou d'électrocution. N'installer cette trousse que sur des luminaires qui ont les caractéristiques de construction et les dimensions telles que montrées sur les photographies et dessins présentés.
- Pour prévenir les dommages ou l'abrasion de fils électriques, ne pas exposer les fils aux arêtes de pièce de tôle ou n'importe quels autres objets tranchant.
- Ne pas percer ou altérer les trous d'un boîtier contenant fil ou composant électrique durant l'installation.



CAUTION/ATTENTION

- Fixture may fall down if not installed properly, follow installation instructions.
- Wear safety glasses and proper aid during installation and maintenance.
- Use only UL certified wire, wire connectors, minimum 18AWG, minimum rated 75°C.

- Le luminaire peut tomber s'il n'est pas installé correctement, suivre les instructions d'installation.
- Porter des lunettes de sécurité et les aides appropriées lors de l'installation et de l'entretien.
- N'utilisez que des fils approuvés par UL pour les entrées/sorties de connexion. Calibre minimum 18 AWG (0.75mm²) et température minimale de 75°C.

Save These Instructions

Use only in the manner intended by the manufacturer. If you have any questions, contact the manufacturer.

NOTE: LRX products are suitable for indoor covered ceiling wet location applications.
Les produits de LRX sont appropriés pour les endroits humides couverts au plafond.

The retrofit kit is accepted as a component of a luminaire where the suitability of the combination shall be determined by UL or authorities having jurisdiction.

Wear work gloves to prevent dirt and oil from being transferred to the luminaire.

Prepare Electrical Wiring



Electrical Requirements

- The luminaire LRX*****MDEL must be supplied with 120-277VAC, 50/60 HZ.
- The luminaire LRX*****PHEL must be supplied with 120VAC 50/60 HZ.
- Connected to an individual properly grounded branch circuit, protected by a 15 or 20 ampere circuit breaker. Use min. 75°C supply conductor.



Grounding Instructions

The grounding and bonding of the overall system shall be done in accordance with National Electric Code (NEC) Article 600 and local codes.

Fixture Requirements

The LED retrofit luminaire must be connected to the mains supply according to its ratings on the product label.

Tools Required

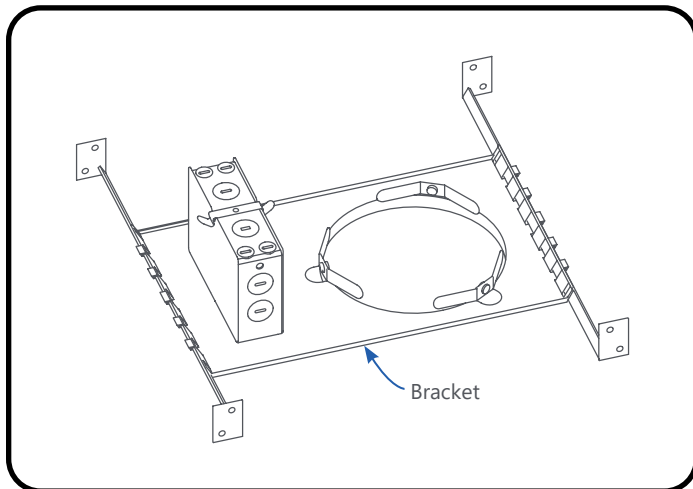
The components have been properly packed to avoid damage during transit. Inspect the components to confirm there is no physical damage. Do not install damaged components

Component List

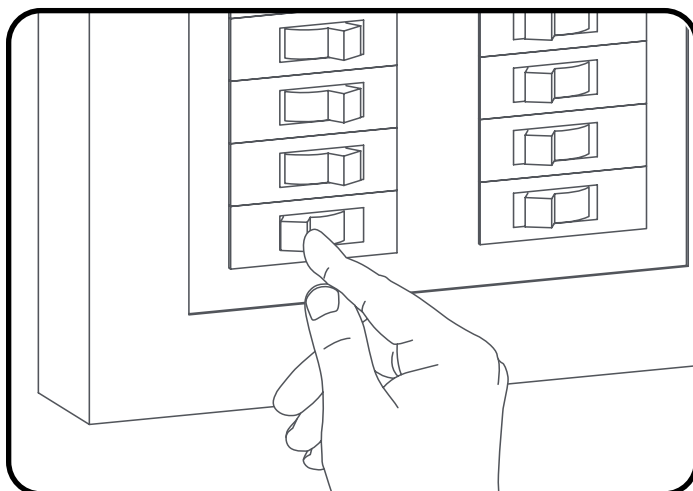
- LRX EMBB Fixture
- Installation Instructions

Installation

① LRX EMBB fixture is one component of LRX EMBB new construction or retrofit system. Before install the fixture, please confirm that the required new frame or EMBB kit has been received already. Verify the junction box and bracket are metal and are constructed similarly to the illustration at below. For more detail on install process, please refer to the installations in LRX EMBB New Construction(IND342) and LRX EMBB Retrofit: LRXEMBBKIT07HE/LRXEMBBKIT07/LRXEMBBKIT10(IND343).



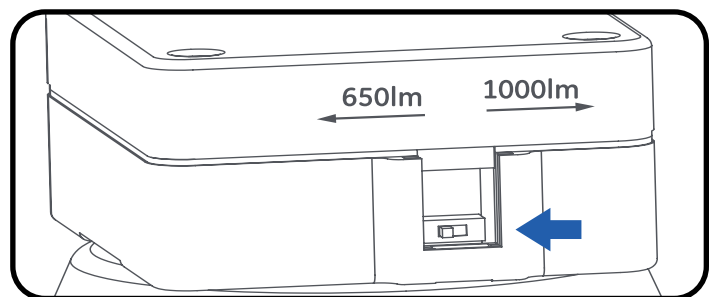
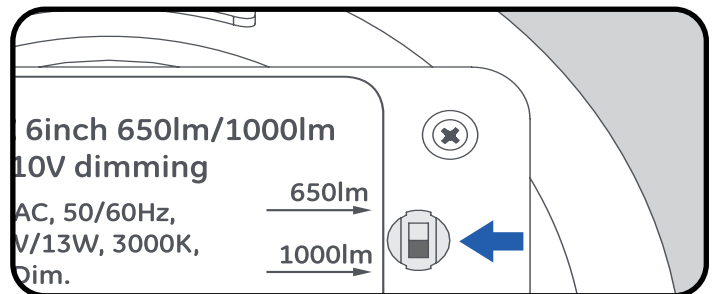
LRX Round frame shown above.



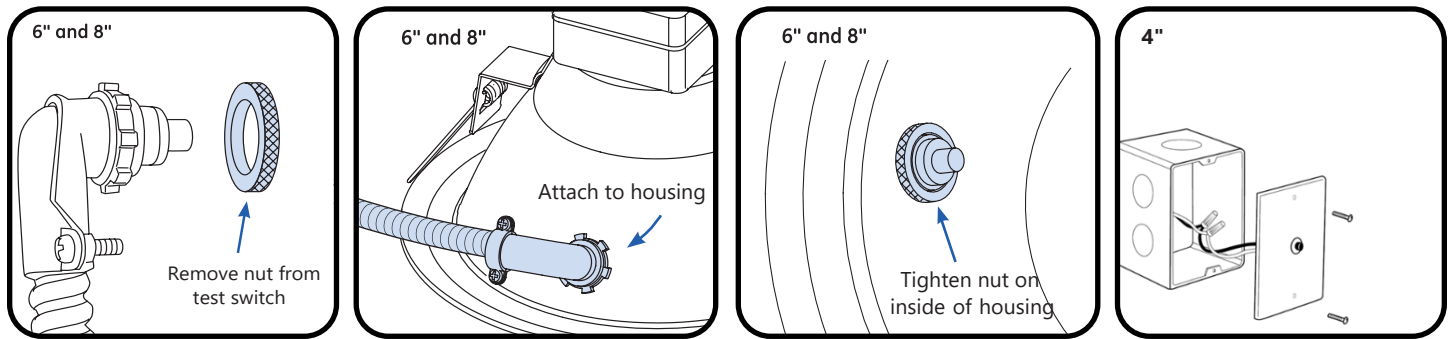
② Ensure that the power to the unit is turned off. Use proper lockout and tagout procedures.

Suitable Frame		Bracket	Hole	Suitable Fixture
Size (in.)	Shape	Dimensions (in.)	Size (in.)	
4	Round	12.60 x 7.64 x 3.54	4.20-5.50	LRXR4xxxxxxxx
6	Round	12.60 x 7.64 x 3.54	5.91-6.50	LRXR6xxxxxxxx
8	Round	15.55 x 11.34 x 3.54	7.68-8.27	LRXR8xxxxxxxx
4	Square	12.60 x 7.64 x 3.54	4.20-5.50	LRXS4xxxxxxxx
6	Square	13.35 x 11.34 x 3.54	5.95-7.50	LRXS6xxxxxxxx
8	Square	13.35 x 11.34 x 3.54	7.95-9.50	LRXS8xxxxxxxx

Lumens Setting Switch

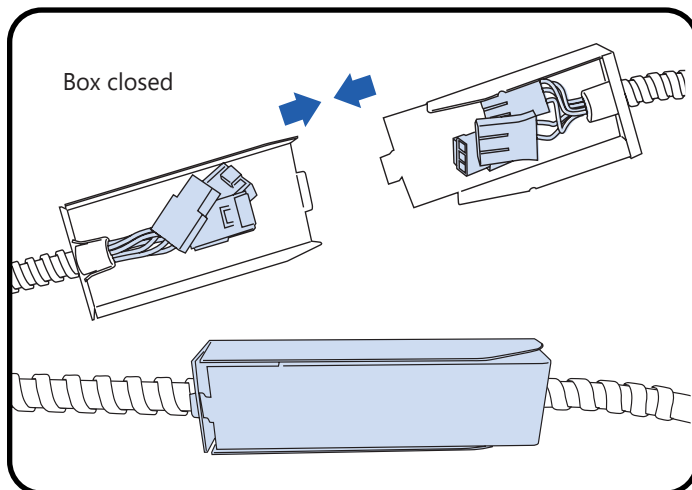


NOTE: For 1000/650lm and 4000/3000lm, default output lumen is 1000lm and 4000lm respectively. Push switch up or left to activate 650lm and 3000lm respectively.



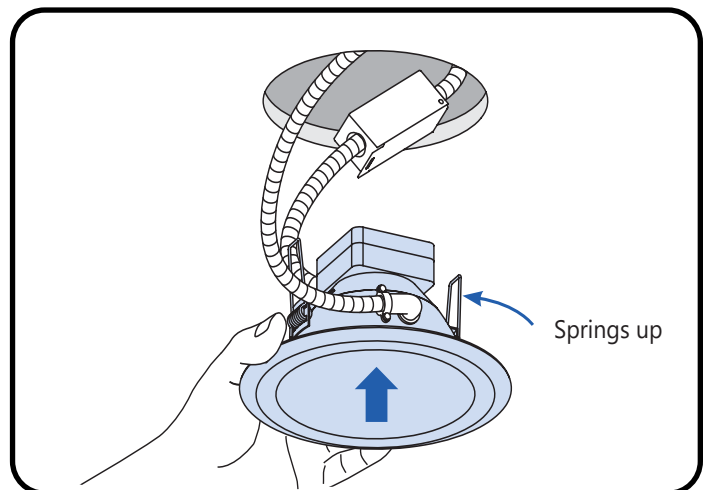
3 Attach the test switch to the LRXEMBB fixture or junction box. If the fixture is 6" or 8", first remove the nut from the end of test switch, and put test switch through the hole of fixture, then thread nut to test switch. If the fixture is 4", mount to the junction box and provided flexible conduit for remote mounting of the test switch.

NOTE: For phase cut dimming product, dimming leads (violet and pink wires) are open.



4 Connect the quick connectors in same color of LRX EMBB fixture and LRXEMBBKIT07(or LRXEMBBKIT07HE, or LRXEMBBKIT10) and close quick connector box well.

NOTE: For phase cut dimming product, dimming leads (violet and pink wires) are disconnected. Dimming compatibility for both 0-10V and phase cut, please refer to website: LED.com



5 Load springs into upright position by twisting the springs upward and carefully insert the fixture to the hole of the frame. Ensure fixture is secure.

- All kit and frame will be completely attached to ceiling.

⚠ CAUTION/ATTENTION

RISK OF PERSONAL INJURY - Operators shall ensure no appendages are in the path of the torsion springs as they are a pinch hazard when released. The springs will release when the arm is flexed downward. Be cautious that no body part is in the path of the spring when released.

RISQUE DE BLESSURE CORPORELLE - Les techniciens veilleront à ce qu'aucun appendice ne se trouve sur le chemin des ressorts de torsion, car ils présentent un risque de pincement lorsqu'ils sont libérés. Les ressorts seront libérés au moment de fléchir le bras vers le bas. Faites attention à ce qu'aucune partie du corps ne se trouve sur le chemin du ressort à sa libération.

This device complies with Part 15 of the FCC Rules. Operation is subject to the following two conditions: (1) This device may not cause harmful interference, and (2) this device must accept any interference received, including interference that may cause undesired operation. CAN ICES-005 (A) / NMB-005 (A).

Note: This equipment has been tested and found to comply with the limits for a Class A digital device, pursuant to part 15 of the FCC Rules. These limits are designed to provide reasonable protection against harmful interference when the equipment is operated in a commercial environment. This equipment generates, uses, and can radiate radio frequency energy and, if not installed and used in accordance with the instruction manual, may cause harmful interference to radio communications. Operation of this equipment in a residential area is likely to cause harmful interference in which case the user will be required to correct the interference at his own expense.